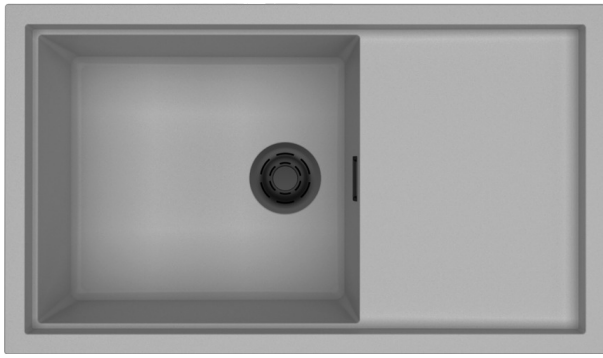
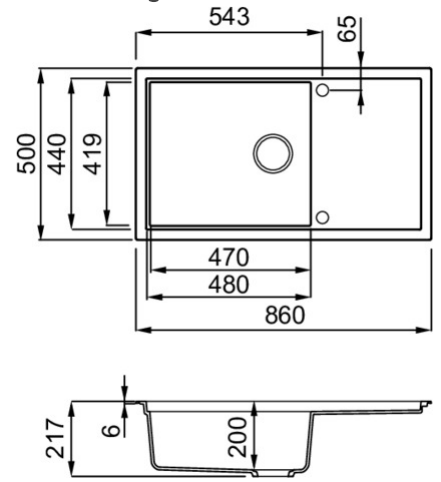


SINTESI 410



Technical Drawing



1-bowl sink with drainer *Available with coloured waste: Black Matt, Light Gold, Stainless Steel

Model	SINTESI 410
Base (mm)	If worktop height more than 35 mm base 600 If worktop height less than 35 mm base 900 (Inset) - If worktop height more than 40 mm base 600 If worktop height less than 40 mm base 900 (Flushmount)
Dimensioni (mm)	Inset Flushmount
Dimensioni (mm)	860 x 500
Dimensioni (mm)	
Bowl Depth (mm)	200
Packaging Dimension (kg)	940 x 575 x 300
Packaging	Cardboard and polyethylene

KERATEK[®] Plus
CERAMIC NANOTECHNOLOGY CN6



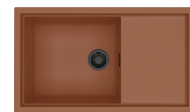
LKS41097BKM K97
8032557028505



LKS41096BKM K96
8032557028512



LKS41086BKM K86
8032557028529



LKS41083BKM K83
8032557028536



LKS41082BKM K82
8032557063001



LKS41097GLD K97
8032557029007



LKS41096GLD K96
8032557029014



LKS41086GLD K86
8032557029021



LKS41083GLD K83
8032557029038



LKS41082GLD K82
8032557063100



LKS41097 K97
8032557028758



LKS41096 K96
8032557028765



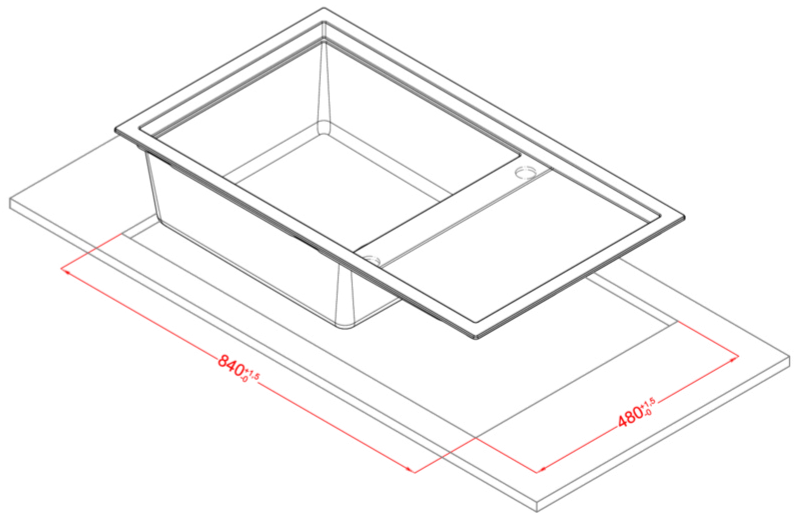
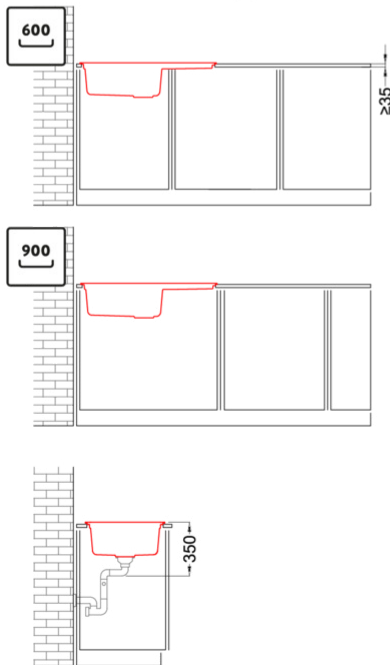
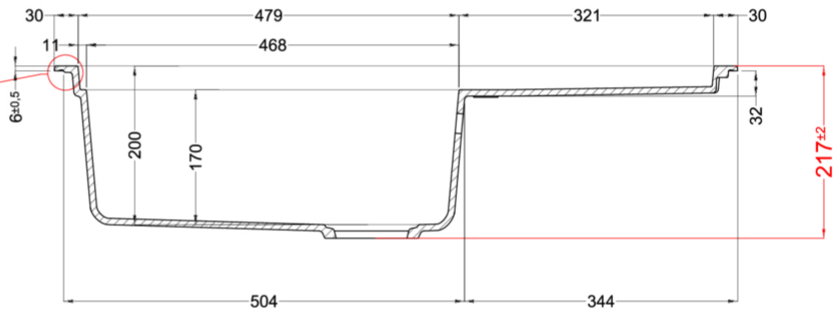
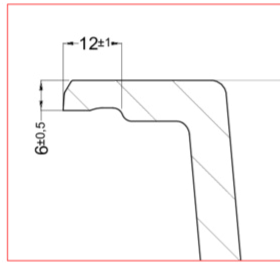
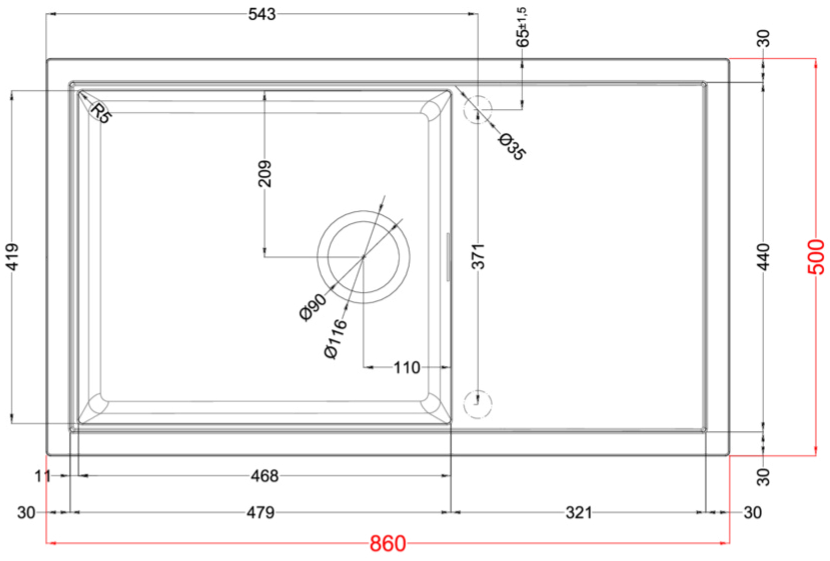
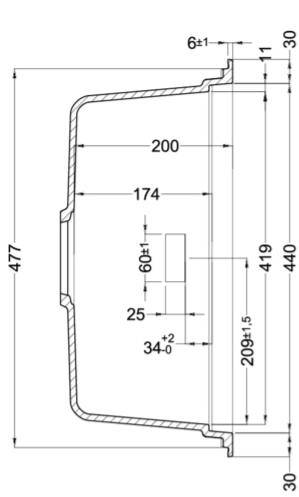
LKS41086 K86
8032557028772



LKS41083 K83
8032557028789



LKS41082 K82
8032557063056



SINTESI 410

general tolerances where not expressly communicated $\pm 0.2\%$
connection dimensions according to UNI EN 695

