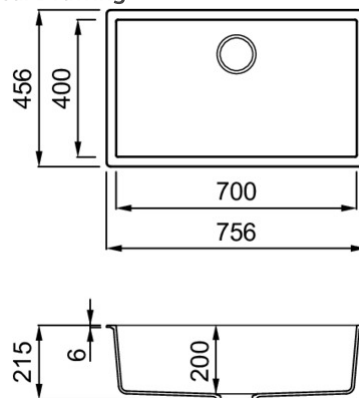


# ZEN 130 LIMITED EDITION



## Technical Drawing



	1-bowl sink
<b>Model</b>	ZEN 130 LIMITED EDITION
<b>Base (mm)</b>	800
	Inset Undermount
<b>Dimensioni (mm)</b>	756 x 456
<b>Dimensioni (mm)</b>	
<b>Number of Bowls</b>	
<b>Bowl Depth (mm)</b>	200
<b>Base (kg)</b>	15,43
<b>Net Weight (kg)</b>	10,00
<b>Packaging Dimension (kg)</b>	870 x 575 x 300
<b>(kg)</b>	0,150
<b>Packaging</b>	Cardboard and polyethylene

**KERATEK<sup>plus</sup>**  
CERAMIC NANOTECHNOLOGY CN6



**LKZ13097BKM** K97  
8032557025153



**LKZ13096BKM** K96  
8032557025160



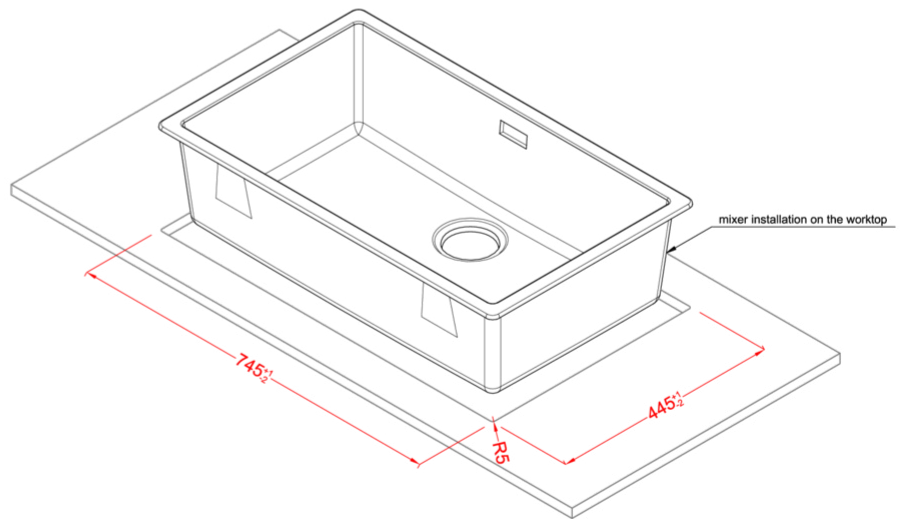
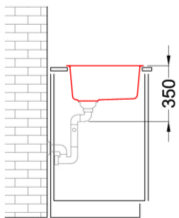
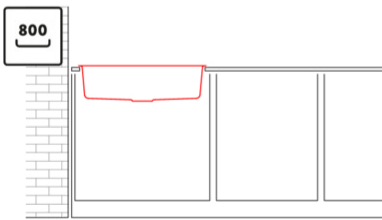
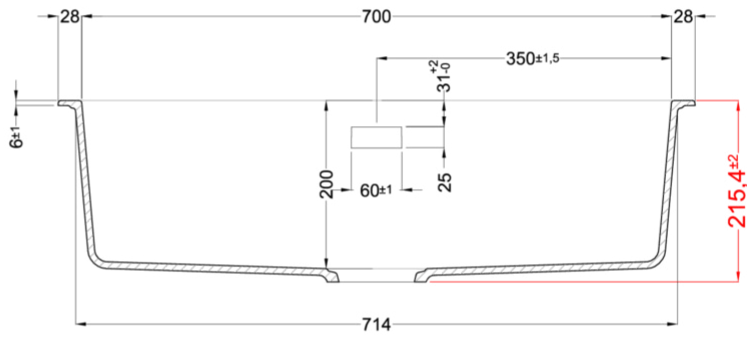
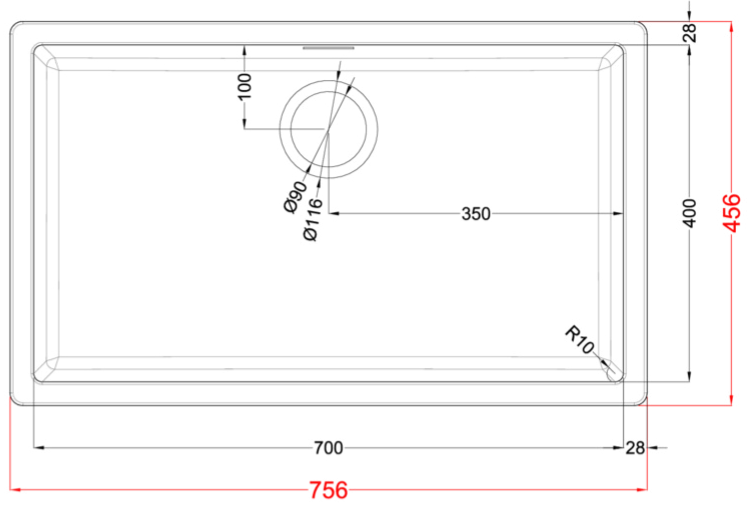
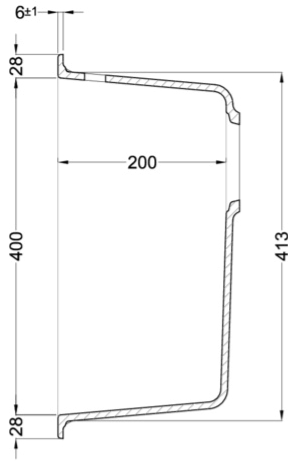
**LKZ13086BKM** K86  
8032557025177



**LKZ13083BKM** K83  
8032557025184



**LKZ13082BKM** K82  
8032557028321



# ZEN 130

general tolerances where not expressly communicated  $\pm 0.2\%$   
 connection dimensions according to UNI EN 695

