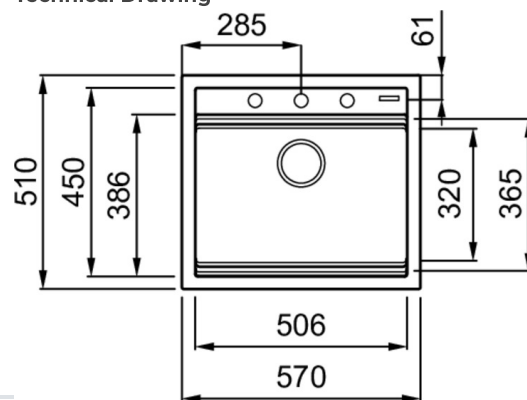


BEST 105 LIMITED EDITION



Technical Drawing



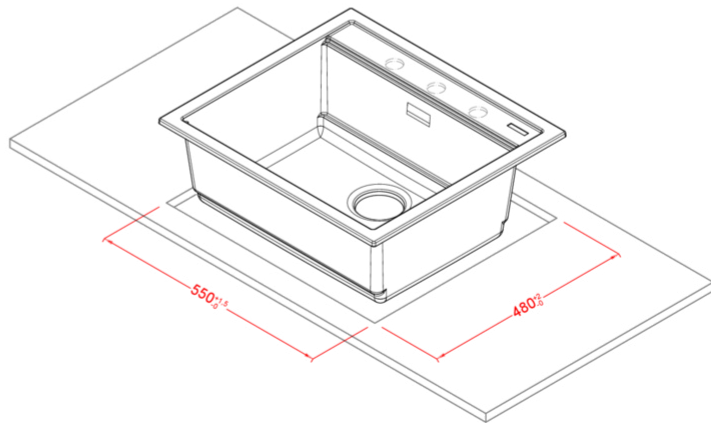
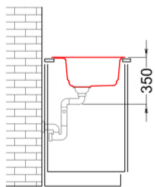
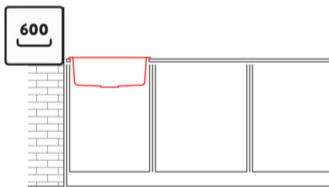
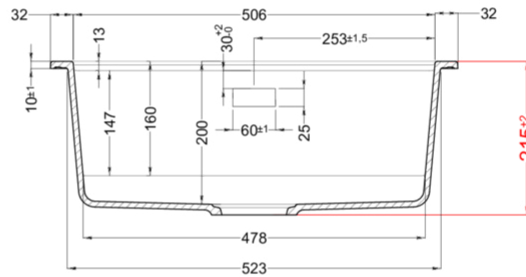
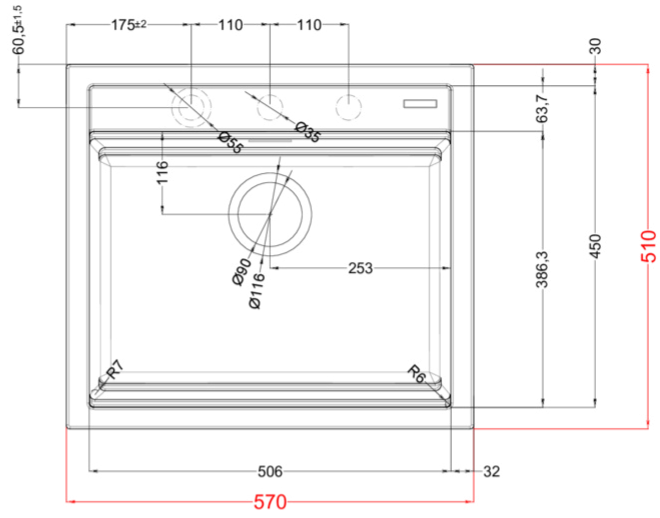
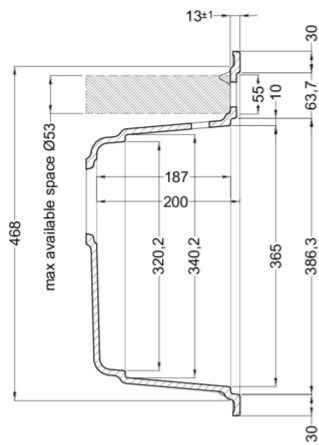
600

	1-bowl sink
Model	BEST 105 LIMITED EDITION
Base (mm)	600
	Inset
Dimensioni (mm)	570 x 510
Dimensioni (mm)	
Bowl Depth (mm)	200
Packaging Dimension (kg)	690 x 575 x 300
Packaging	Cardboard and polyethylene

KERATEK^{plus}
CERAMIC NANOTECHNOLOGY CN6



LKB10586BKM K86
8032557029373



BEST 105

general tolerances where not expressly communicated $\pm 0.2\%$
connection dimensions according to UNI EN 695