

## Sink Skin Double Undermount

Kitchen Sinks

Code: 4455 840



### DETAILS

Edge/Installation Type	Undermount
Material	AISI 304 stainless steel
Texture	Foster brushed
Base	80 cm
Dimensions	750x440 mm
Standard fittings	Fixing hooks, gasket, drain, overflow and siphon, boxed packing
Mixer holes	No standard holes
Built-in hole	View technical data sheet (for all Flush-mount / Top-mount models and Under-mount models)
Drainer	No

Width 75 cm

---

Bowl dimension 340x400mm

---

Number of bowls 2 bowls

---

Waste fitting Drain SPACE 3,5"

---

Notes: As the product consists of a single seamless steel surface with no gaps or interstices, the use of garbage disposal and waste fitting with automatic control is not permitted.

---

## FEATURES

**ONE SEAMLESS STEEL SURFACE** The waste-fitting and overflow are moulded on the sink. The product is therefore made out of one seamless steel surface, without gaps or interstices. A great plus in terms of hygiene.

---

**Deep bowls** This bowls reach an important depth, over 20 cm, thanks to the advanced production technology, that can be offer great capiciency and practicity in all the washing operations.

---

**High thickness** 1mm thick steel. A significant thickness, which guarantees the maximum sturdiness and durability.

---

**Perimetral overflow** The overflow is always a security on the Foster sinks that prevents the overflow of water in case of oversights. The perimeter drain solution improves aesthetics thanks to its square and essential shape.

---

**Save space system** Drain and siphon are designed to leave as much space as possible in the under-sink area, more and more useful today for theseparate waste collection systems.

---

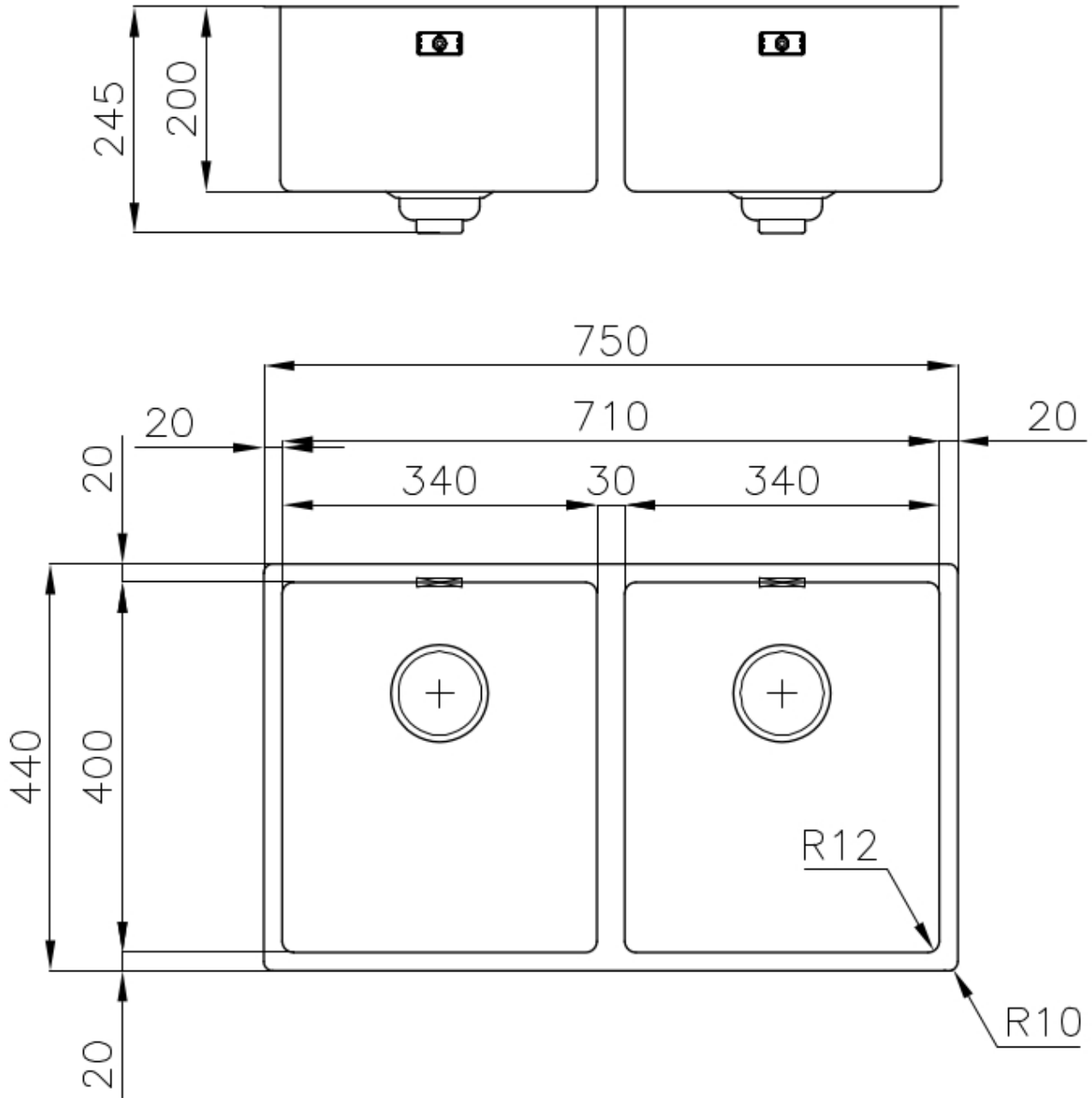
**Small radius** Bowls with squared shapes with a modern design and an increased capacity, for a minimal aesthetics connected with an extreme practicity.

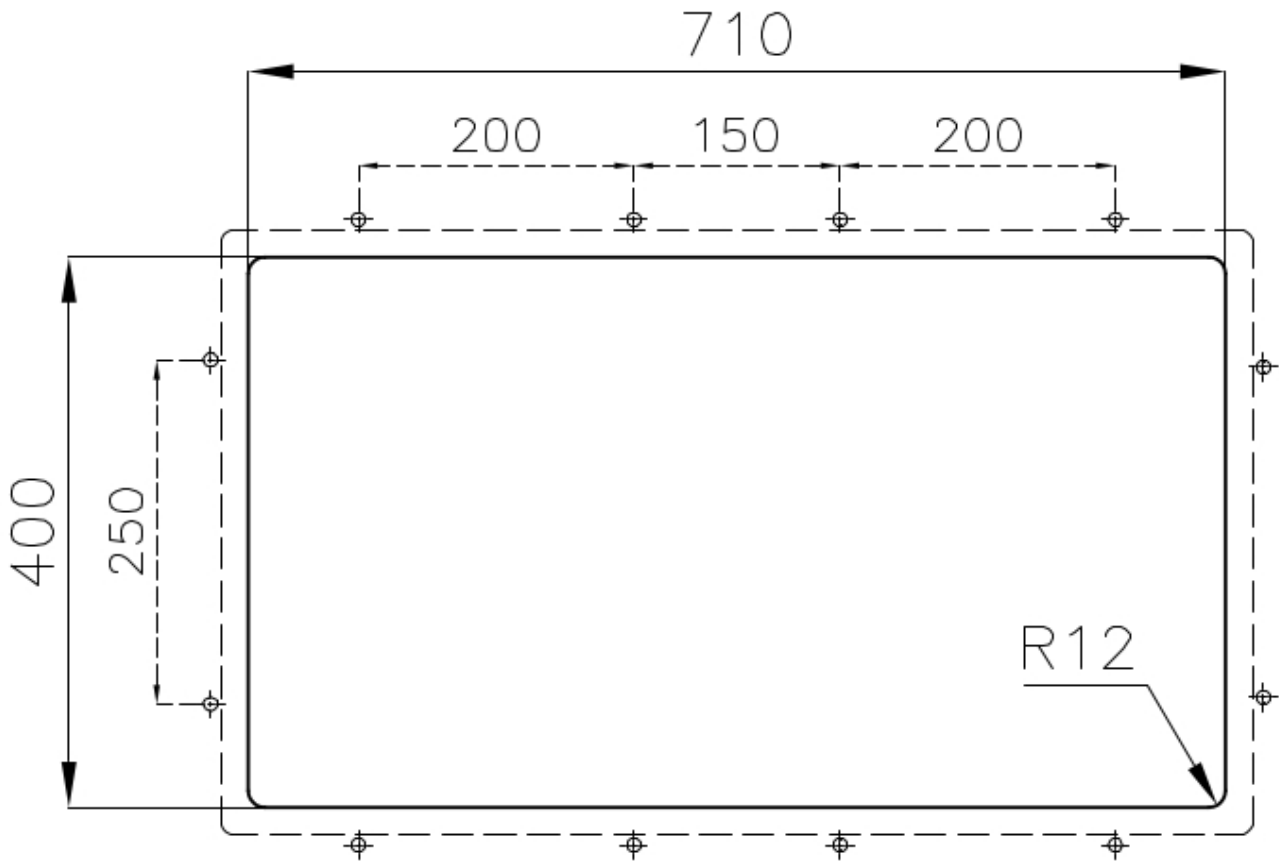
---

**Space waste fitting** The elegant SPACE steel cap closes the drain and leaves no visible residues collected in the basket below. Space also has a small footprint and allows the optimal use of the under-sink compartment.

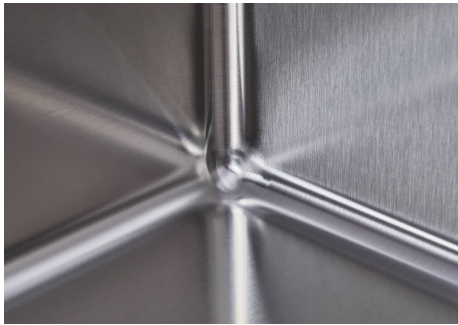
---

## TECHNICAL DATA





## GALLERY



## OPTIONAL ACCESSORIES



Glass chopping board



HPDE Twin chopping board



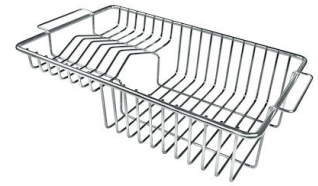
Iroko-wood twin chopping board



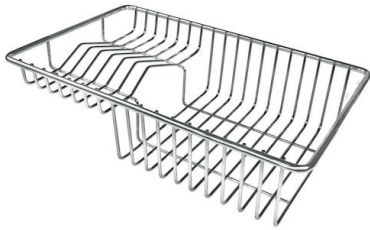
Stainless steel colander



Stainless steel plate rack



Stainless steel plate rack



Stainless steel plate rack



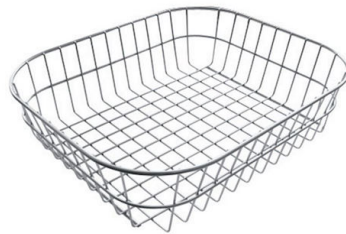
White bowl



Graters kit with ring-holder and food collection tray



Iroko-wood sliding chopping board with stainless steel colander



Stainless steel basket



Stainless steel perforated tray

**WARNING:**

The accessories **8159101**, **8151000** and **8100303** are only usable in combination with **8644101**  
The accessories **8100154** and **8154000** are only usable in combination with **8644004**

## RECOMMENDED PAIRINGS



Mixer Tap Skin



VOLTA