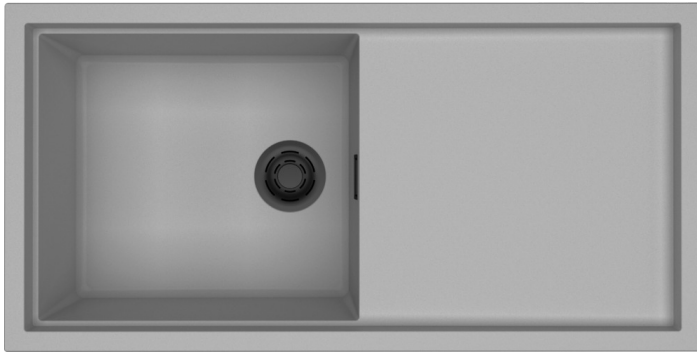
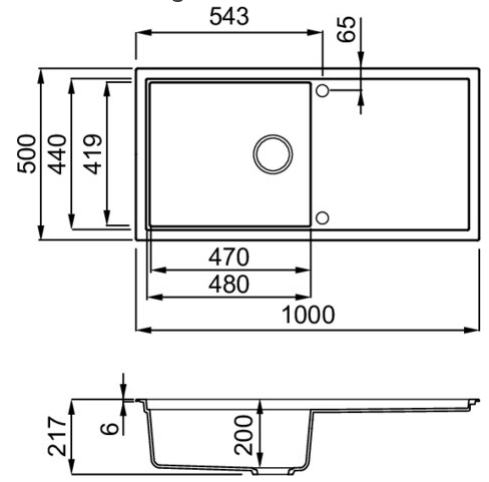


# SINTESI 480



## Technical Drawing



1-bowl sink with drainer \*Available with coloured waste: Black Matt, Light Gold, Stainless Steel

<b>Model</b>	SINTESI 480
<b>Base (mm)</b>	If worktop height more than 35 mm base 600     If worktop height less than 35 mm base 1200 (Inset) - If worktop height more than 40 mm base 600     If worktop height less than 40 mm base 1200 (Flushmount)
<b>Dimensioni (mm)</b>	Inset Flushmount
<b>Dimensioni (mm)</b>	1000 x 500
<b>Dimensioni (mm)</b>	
<b>Bowl Depth (mm)</b>	200
<b>Packaging Dimension (kg)</b>	1080 x 575 x 300
<b>Packaging</b>	Cardboard and polyethylene

**KERATEK<sup>®</sup> Plus**  
CERAMIC NANOTECHNOLOGY CN6



**LKS48097BKM** K97  
8032557028451



**LKS48096BKM** K96  
8032557028468



**LKS48086BKM** K86  
8032557028475



**LKS48083BKM** K83  
8032557028482



**LKS48082BKM** K82  
8032557062998



**LKS48097GLD** K97  
8032557028956



**LKS48096GLD** K96  
8032557028963



**LKS48086GLD** K86  
8032557028970



**LKS48083GLD** K83  
8032557028987



**LKS48082GLD** K82  
8032557063094



**LKS48097** K97  
8032557028703



**LKS48096** K96  
8032557028710



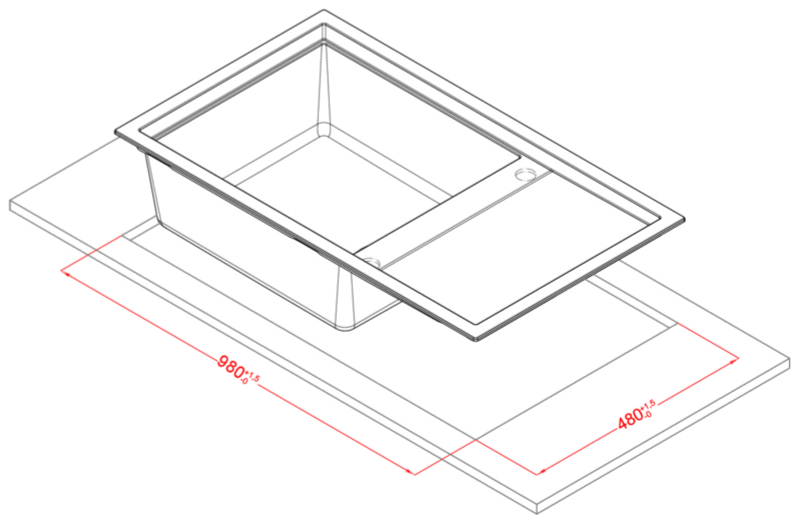
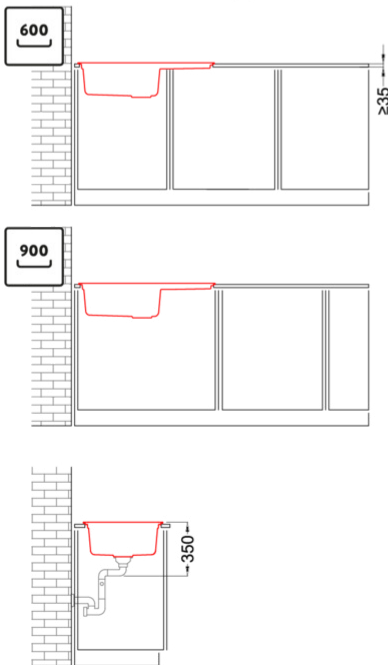
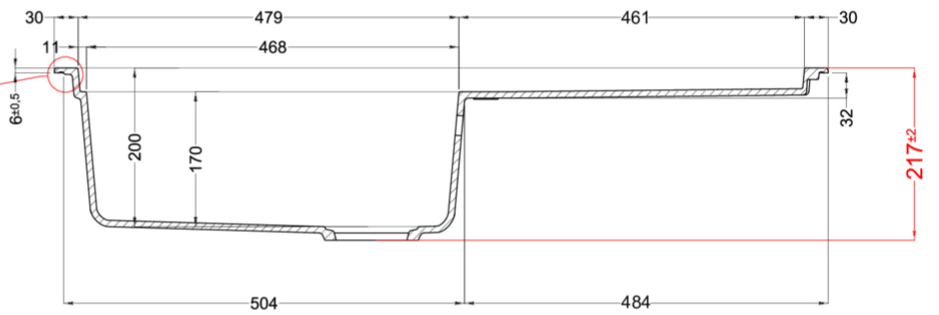
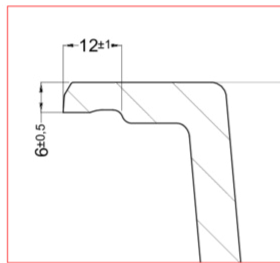
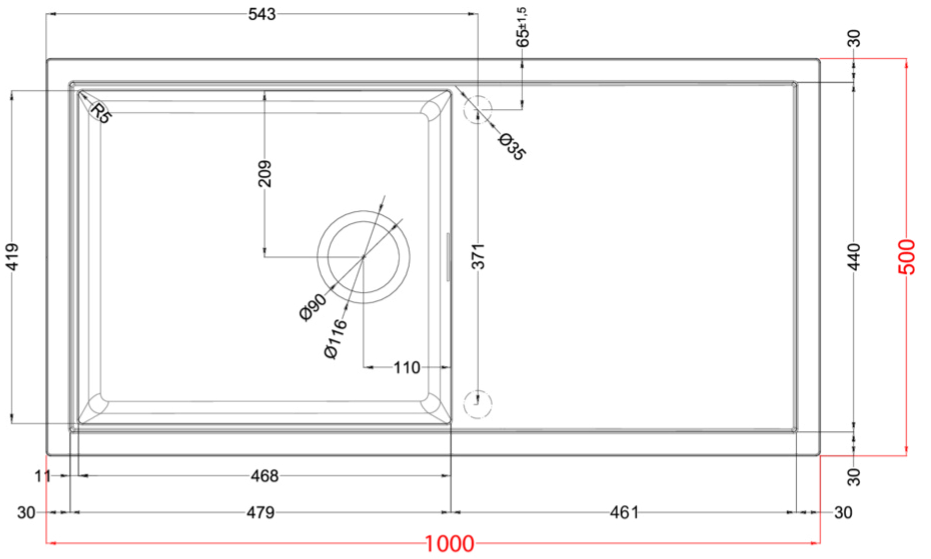
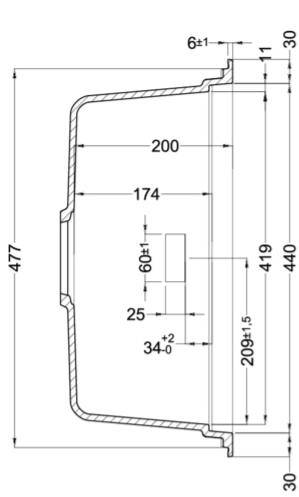
**LKS48086** K86  
8032557028727



**LKS48083** K83  
8032557028734



**LKS48082** K82  
8032557063049



## SINTESI 480

general tolerances where not expressly communicated  $\pm 0.2\%$   
connection dimensions according to UNI EN 695

